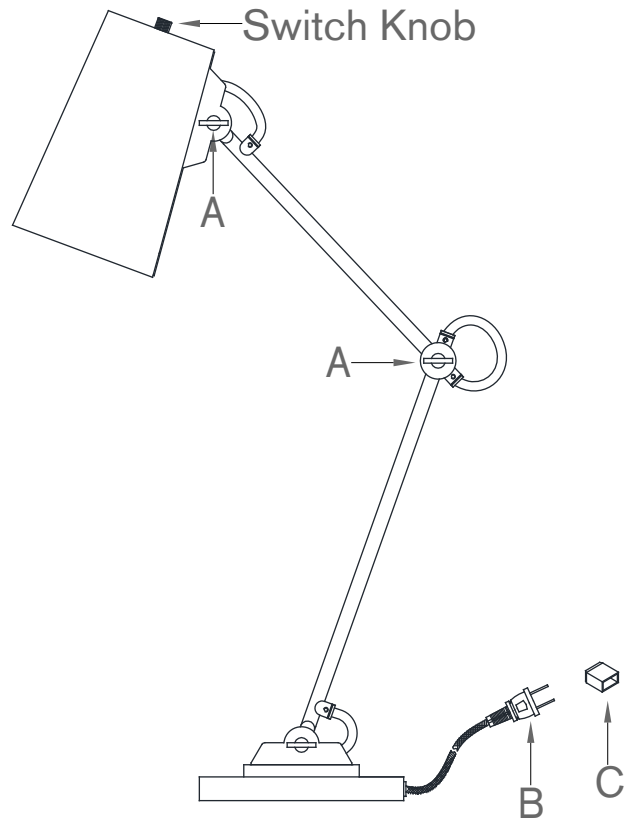


# RL 3450

## ASSEMBLY & INSTALLATION GUIDE



**INSPECT ITEM CAREFULLY BEFORE ATTEMPTING TO INSTALL. IF THERE IS ANY DAMAGE OR OBVIOUS DEFECT, DO NOT INSTALL.**

**ITEM MAY NOT BE RETURNED ONCE IT HAS BEEN INSTALLED.**

1. Carefully remove all parts from the carton.
2. Insert the specified light bulb (not included) into socket.
3. Remove protective plastic (C) from electrical plug (B).
4. Plug lamp into wall outlet.

To Adjust:

1. Loosen adjustment keys (A)
2. Adjust lamp shade or lamp arms to desired position.
3. Tighten adjustment keys (A).

\*\*\*Clean with a dry, soft cloth only. Use no harsh abrasives or chemical agents.