

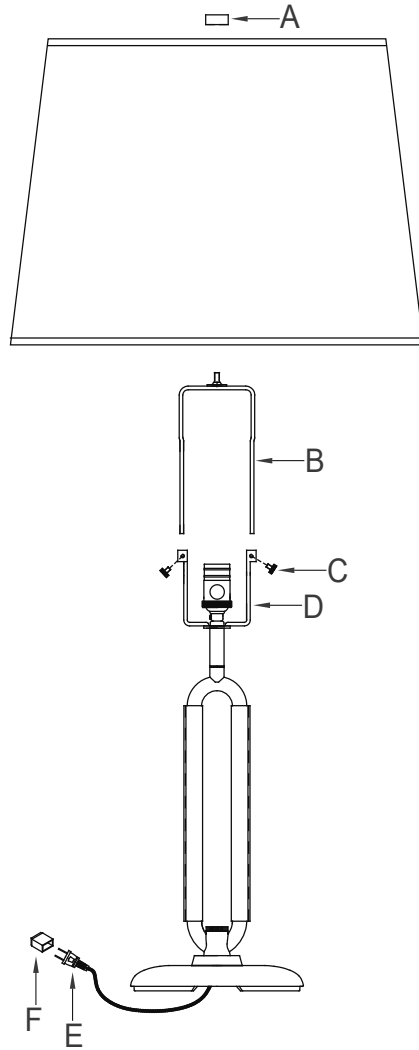
RL 3533

ASSEMBLY & INSTALLATION GUIDE

INSPECT ITEM CAREFULLY BEFORE ATTEMPTING TO INSTALL. IF THERE IS ANY DAMAGE OR OBVIOUS DEFECT, DO NOT INSTALL.

BEFORE INSTALLATION AND MAINTENANCE, PLEASE TURN OFF THE POWER IN MAIN CIRCUIT BOX

ITEM MAY NOT BE RETURNED ONCE IT HAS BEEN INSTALLED.



1. Carefully remove all parts from the carton.
2. Loosen thumbscrews (C), insert harp (B) into the saddle (D) and secure with thumbscrews (C).
3. Remove finial (A) from harp (B), place lamp shade (packed separately) over the bolt attached on top of harp (B). Screw finial (A) onto the bolt to secure lamp shade to harp (B).
4. Insert light bulb (not included) into the socket.
5. Remove plastic cover (F) from electrical plug (E).
6. Plug lamp into wall outlet.

ADJUSTMENT INSTRUCTIONS

1. Loosen thumbscrews (C), adjust harp (B) up or down to desired height and tighten thumbscrews (C).

*** Clean with a dry, soft cloth only. Use no harsh abrasives or chemical agents.



RALPH LAUREN