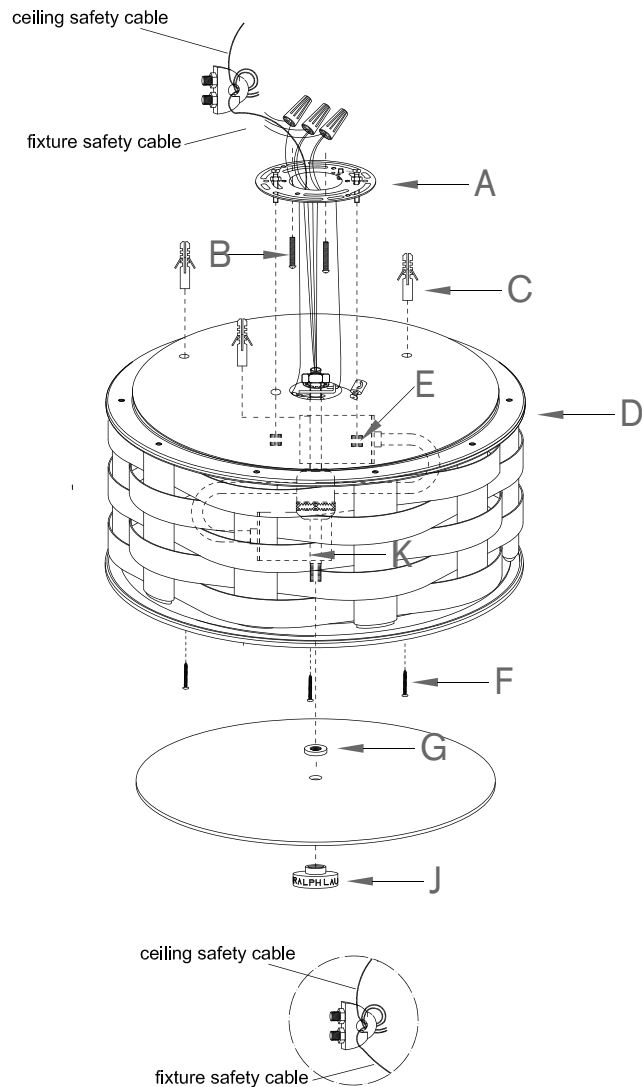


## ASSEMBLY INSTRUCTIONS



### To assemble safety cables:

1. Join fixture safety cables with safety cable from ceiling.
2. Wrap both safety cable around the cable lock nut.
3. Secure by tightening both hex nuts until tight.

## Ella Woven Small Flush Mount

Item # RL4090

**WE RECOMMEND INSTALLATION OF THIS LIGHTING FIXTURE BE DONE BY A LICENSED ELECTRICIAN.**

**WARNING \*\*\* SWITCH OFF THE MAIN ELECTRICAL SUPPLY FROM THE MAIN FUSE BOX/CIRCUIT BREAKER BEFORE INSTALLATION.**

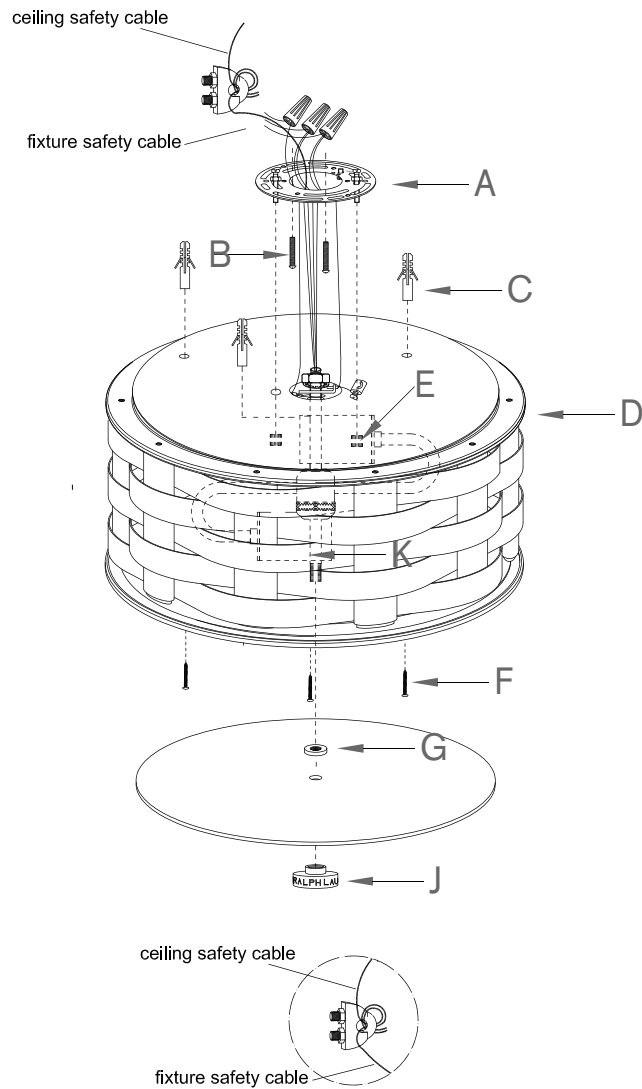
**INSPECT ITEM CAREFULLY BEFORE ATTEMPTING TO INSTALL. IF THERE IS ANY DAMAGE OR OBVIOUS DEFECT, DO NOT INSTALL.**

**ITEM MAY NOT BE RETURNED ONCE IT HAS BEEN INSTALLED.**

1. Remove mounting plate (A) from base of light fixture (D) by removing cap nuts (E) in counter-clockwise direction.
2. Place mounting plate (A) to wall outlet and secure with mounting screws (B) provided.
3. Place fixture base (D) to the affixed mounting plate (A), use it as a template, mark four points for mounting holes of fixture base (D) on the ceiling. Remove fixture base (D).
4. Drill small holes on the marked location, the holes should be big enough to accommodate with plastic anchors (C). Push plastic anchors (C) into the holes.
5. Gently pull the wires from the ceiling and allow the wires to hang. Thread the wires through center hole in mounting plate (A).
6. Attach fixture steel safety cable to structural member in the ceiling. (Refer to the illustration)
7. Attach ground (green) wire to ground wire from wall outlet box (usually green or copper in color), fasten together with a plastic wire connector. Tighten wrap the wire connector with electrical tape. so the end of the connector is sealed. IT IS IMPERATIVE THAT THE OUTLET BOX IN YOUR HOME BE PROPERLY GROUNDED.
8. Connect neutral (white) fixture wire coming from fixture base to neutral (usually white) outlet wire. Fasten both wires together with a plastic wire connector and tightly wrap the wire connector with electrical tape.
9. Repeat the procedure with the hot (black) wires. Always make sure that no wire strands are left outside the connectors.

DO NOT REVERSE THE HOT AND NEUTRAL CONNECTIONS  
OTHERWISE SAFETY WILL BE COMPROMISED.

## ASSEMBLY INSTRUCTIONS



### To assemble safety cables:

1. Join fixture safety cables with safety cable from ceiling.
2. Wrap both safety cable around the cable lock nut.
3. Secure by tightening both hex nuts until tight.

## Ella Woven Small Flush Mount

Item # RL4090

**WE RECOMMEND INSTALLATION OF THIS LIGHTING FIXTURE BE DONE BY A LICENSED ELECTRICIAN.**

**WARNING \*\*\* SWITCH OFF THE MAIN ELECTRICAL SUPPLY FROM THE MAIN FUSE BOX/CIRCUIT BREAKER BEFORE INSTALLATION.**

**INSPECT ITEM CAREFULLY BEFORE ATTEMPTING TO INSTALL. IF THERE IS ANY DAMAGE OR OBVIOUS DEFECT, DO NOT INSTALL.**

**ITEM MAY NOT BE RETURNED ONCE IT HAS BEEN INSTALLED.**

10. Attach fixture base (D) to the affixed mounting plate (A), letting both rods on mounting plate (A) pass through the holes on fixture base (D) and secure with cap nuts (E) and inserting screws (F) into plastic anchors (C) to secure fixture base.
11. Insert light bulbs (not included) into the sockets.
12. Remove finial (J) from the threaded section of rod (K), attach glass diffuser (H) to the bottom of fixture base (D), letting the rod (K) pass through the hole of ring (G) and glass diffuser (H) and secure with finial (J).  
DO NOT OVERTIGHTEN OTHERWISE THE GLASS WILL BE DAMAGE.

\*\*\* Clean with a dry, soft cloth only. Do not use harsh abrasives or chemical agents.