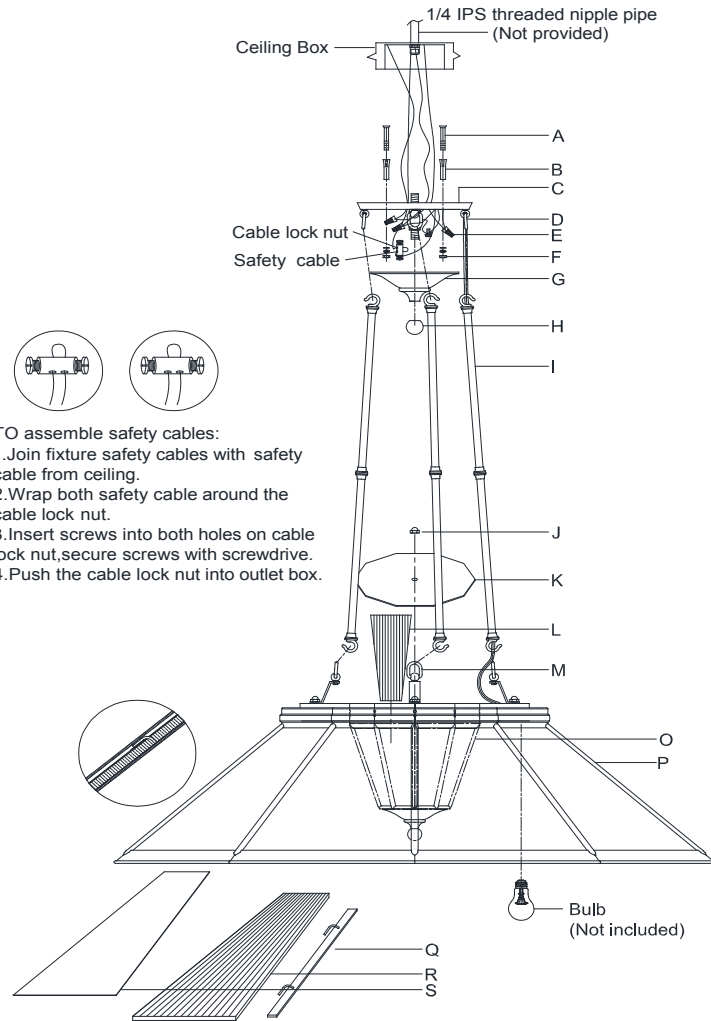


ASSEMBLY INSTRUCTIONS



TO assemble safety cables:

1. Join fixture safety cables with safety cable from ceiling.
2. Wrap both safety cable around the cable lock nut.
3. Insert screws into both holes on cable lock nut, secure screws with screwdriver.
4. Push the cable lock nut into outlet box.

Rivington Medium Eight-Paneled Pendant

Item # RL 5064-AM & RL 5064-MG

WE RECOMMEND INSTALLATION OF THIS LIGHTING FIXTURE BE DONE BY A LICENSED ELECTRICIAN.

WARNING*SWITCH OFF THE MAIN ELECTRICAL SUPPLY FROM THE MAIN FUSE BOX/CIRCUIT BREAKER BEFORE INSTALLATION.**

INSPECT ITEM CAREFULLY BEFORE ATTEMPTING TO INSTALL. IF THERE IS ANY DAMAGE OR OBVIOUS DEFECT. DO NOT INSTALL.

ITEM MAY NOT BE RETURNED ONCE IT HAS BEEN INSTALLED.

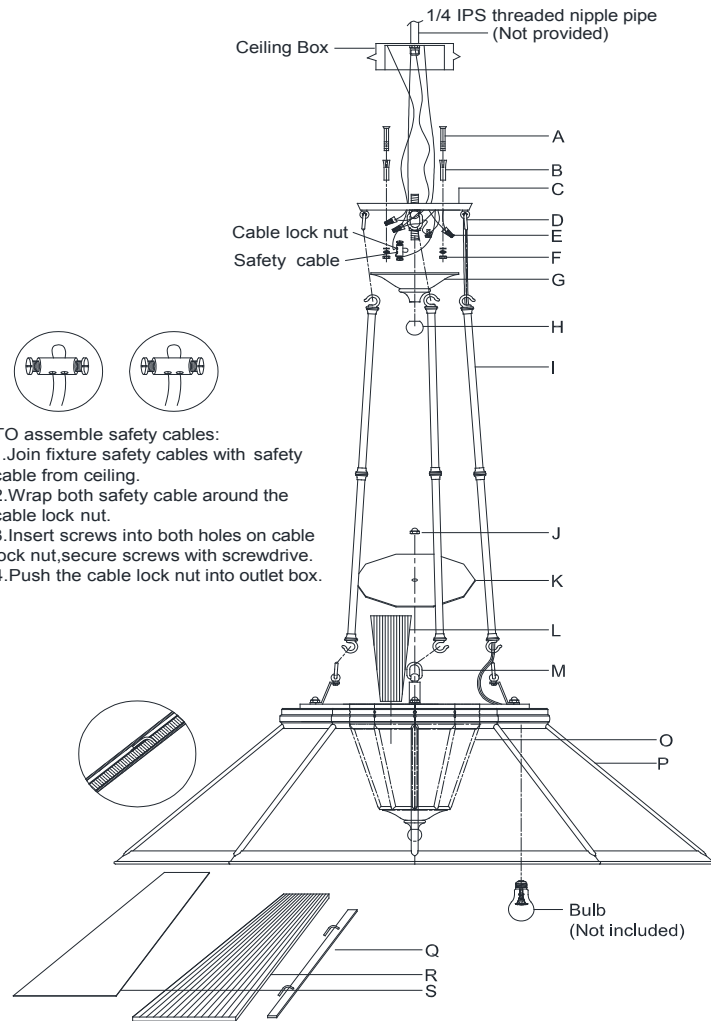
NOTE: CAREFULLY UNPACK EACH PIECE IN TOP LAYER OF PACKING PRIOR TO REMOVING. RETAIN ALL PACKING MATERIAL UNTIL INSPECTION AND INSTALLATION ARE FINAL.

1. Carefully remove all parts from the box.
2. Remove the mounting plate (C) from canopy (G) by loosening finial (H).
3. Drill 5 holes on the ceiling and make sure the hole distance will match to the holes in the mounting plate (C).
4. Knock the expansion pipes (B) and screws (A) onto the ceiling holes and make sure they are flat.
5. A 1/4" threaded nipple must be installed in your outlet box. Then install the mounting plate (C) onto the outlet box and secure with mounting nuts (F) provided.
6. Remove the metal plate (K) from fixture body (P) by loosening cap nut (J).
7. Install the glass panels (L) to the inside framework (O) by bending tabs.
8. Attach the metal plate (K) to fixture body (P) and secure with cap nut (J).
9. Fit the metal panels (S) and glass panels (R) to the inside of fixture body (P) and screw it with metal bars (Q).
10. Attach the stems (I) one end to the ring (M), and other end to the ring (D).
11. Connect the fixture ground (bare) wire with the ground wire from the outlet box using wire nut (E). If your house does not have ground wire, then attach this wire to the green grounding screw inside of the outlet box.
IT IS IMPERATIVE THAT THIS FIXTURE BE GROUNDED.
12. Connect the fixture Neutral wire (ribbed, no markings) with the neutral wire from the outlet box using wire nut (E).



RALPH LAUREN

ASSEMBLY INSTRUCTIONS



- TO assemble safety cables:
1. Join fixture safety cables with safety cable from ceiling.
 2. Wrap both safety cable around the cable lock nut.
 3. Insert screws into both holes on cable lock nut, secure screws with screwdriver.
 4. Push the cable lock nut into outlet box.

Rivington Medium Eight-Paneled Pendant

Item # RL 5064-AM & RL 5064-MG

WE RECOMMEND INSTALLATION OF THIS LIGHTING FIXTURE BE DONE BY A LICENSED ELECTRICIAN.

WARNING*SWITCH OFF THE MAIN ELECTRICAL SUPPLY FROM THE MAIN FUSE BOX/CIRCUIT BREAKER BEFORE INSTALLATION.**

INSPECT ITEM CAREFULLY BEFORE ATTEMPTING TO INSTALL. IF THERE IS ANY DAMAGE OR OBVIOUS DEFECT. DO NOT INSTALL.

ITEM MAY NOT BE RETURNED ONCE IT HAS BEEN INSTALLED.

NOTE: CAREFULLY UNPACK EACH PIECE IN TOP LAYER OF PACKING PRIOR TO REMOVING. RETAIN ALL PACKING MATERIALLY UNTIL INSPECTION AND INSTALLATION ARE FINAL.

13. Connect the fixture Hot (smooth edge, markings) wire with the hot wire from the outlet box using wire nut (E).

DO NOT REVERSE THE HOT AND NEUTRAL CONNECTIONS OR SAFETY WILL BE COMPROMISED.

14. Tuck these wire connections neatly into the outlet box to secure.

15. Put canopy (G) to mounting plate (C), and secure with finial (H).

16. Insert bulbs (not included) into the sockets.

17. Installation is complete, turn on power at fuse or circuit breaker.

***Clean with a dry, soft cloth only. Use no harsh abrasives or chemical agents.



RALPH LAUREN