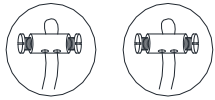
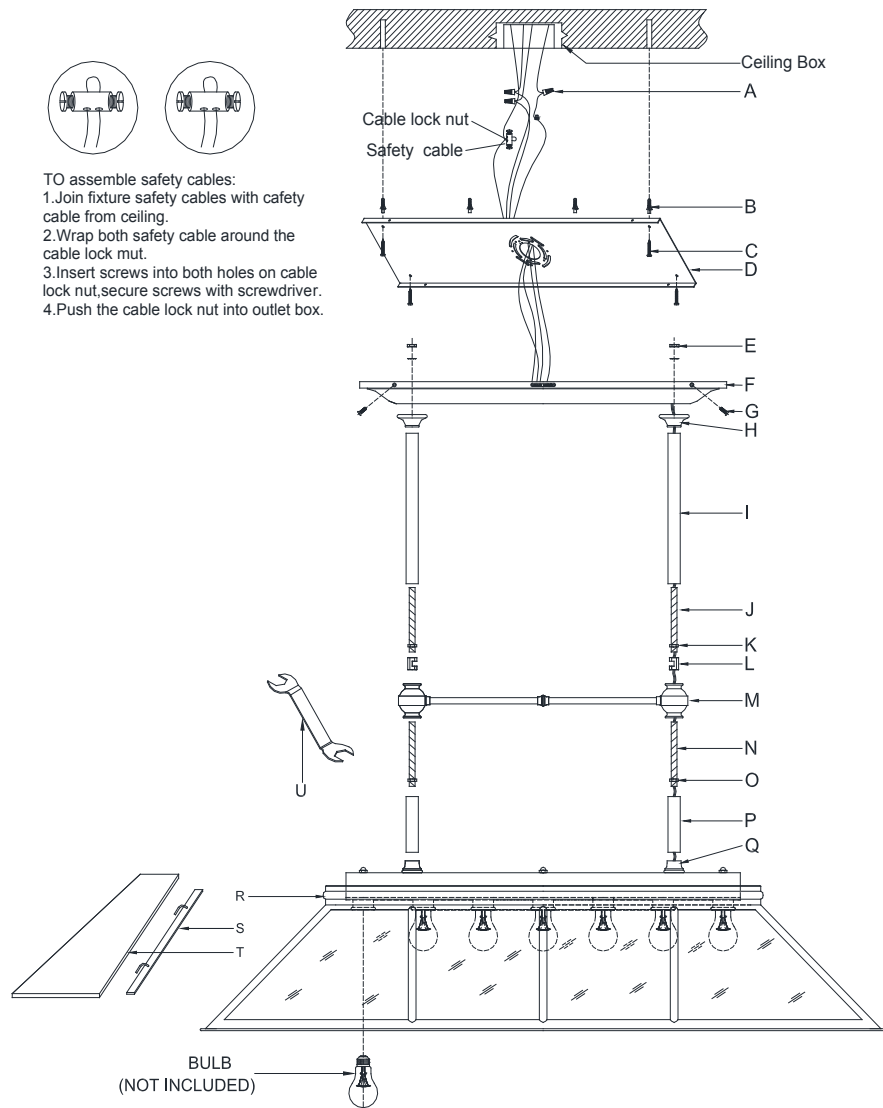


## ASSEMBLY INSTRUCTIONS



TO assemble safety cables:

1. Join fixture safety cables with safety cable from ceiling.
2. Wrap both safety cable around the cable lock nut.
3. Insert screws into both holes on cable lock nut, secure screws with screwdriver.
4. Push the cable lock nut into outlet box.



## Rivington Large Billiard Pendant

Item # RL 5067-WG

WE RECOMMEND INSTALLATION OF THIS LIGHTING FIXTURE BE DONE BY A LICENSED ELECTRICIAN.

WARNING\*\*\*SWITCH OFF THE MAIN ELECTRICAL SUPPLY FROM THE MAIN FUSE BOX/CIRCUIT BREAKER BEFORE INSTALLATION.

INSPECT ITEM CAREFULLY BEFORE ATTEMPTING TO INSTALL. IF THERE IS ANY DAMAGE OR OBVIOUS DEFECT. DO NOT INSTALL.

ITEM MAY NOT BE RETURNED ONCE IT HAS BEEN INSTALLED.

NOTE: CAREFULLY UNPACK EACH PIECE IN TOP LAYER OF PACKING PRIOR TO REMOVING. RETAIN ALL PACKING MATERIAL UNTIL INSPECTION AND INSTALLATION ARE FINAL.

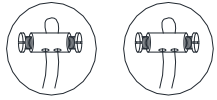
1. Carefully remove all parts from the box.
2. Drill 4 holes on the ceiling and make sure the distance will match to the holes in the mounting plate (D) exactly.
3. Knock the anchors (B) into the ceiling holes.
4. Install the mounting plate (D) to the ceiling with the mounting screws (C) provided.
5. Insert the threaded pipe (N) with a nut on bottom into the fixture assembly (Q) and tighten.
6. Use wrench (U) to tighten the nut (O), slip the center tube (P) and metal part (M) down the threaded pipe (N).
7. Thread hickey (L) to metal part (M) and tighten nut (K) with wrench (U).
8. Slip the center tube (I) down the threaded pipe (J) and thread collar (H) to threaded pipe (J).
9. Attach the canopy (F) to the collar (H), let the threaded pipe (J) pass through the holes in the canopy, and tighten nut (E) with wrench (U).
10. Connect the fixture ground (bare) wire with the ground wire from the outlet box using wire nut (A). If your house does not have ground wire, then attach this wire to the green grounding screw inside of the outlet box.
11. Connect the fixture Neutral wire (ribbed, no markings) with the neutral wire from the outlet box using wire nut (A).
12. Connect the fixture Hot (smooth edge, markings) wire with the hot wire from the outlet box using wire nut (A).

IT IS IMPERATIVE THAT THIS FIXTURE BE GROUNDED.  
DO NOT REVERSE THE HOT AND NEUTRAL CONNECTIONS OR SAFETY WILL BE COMPROMISED.



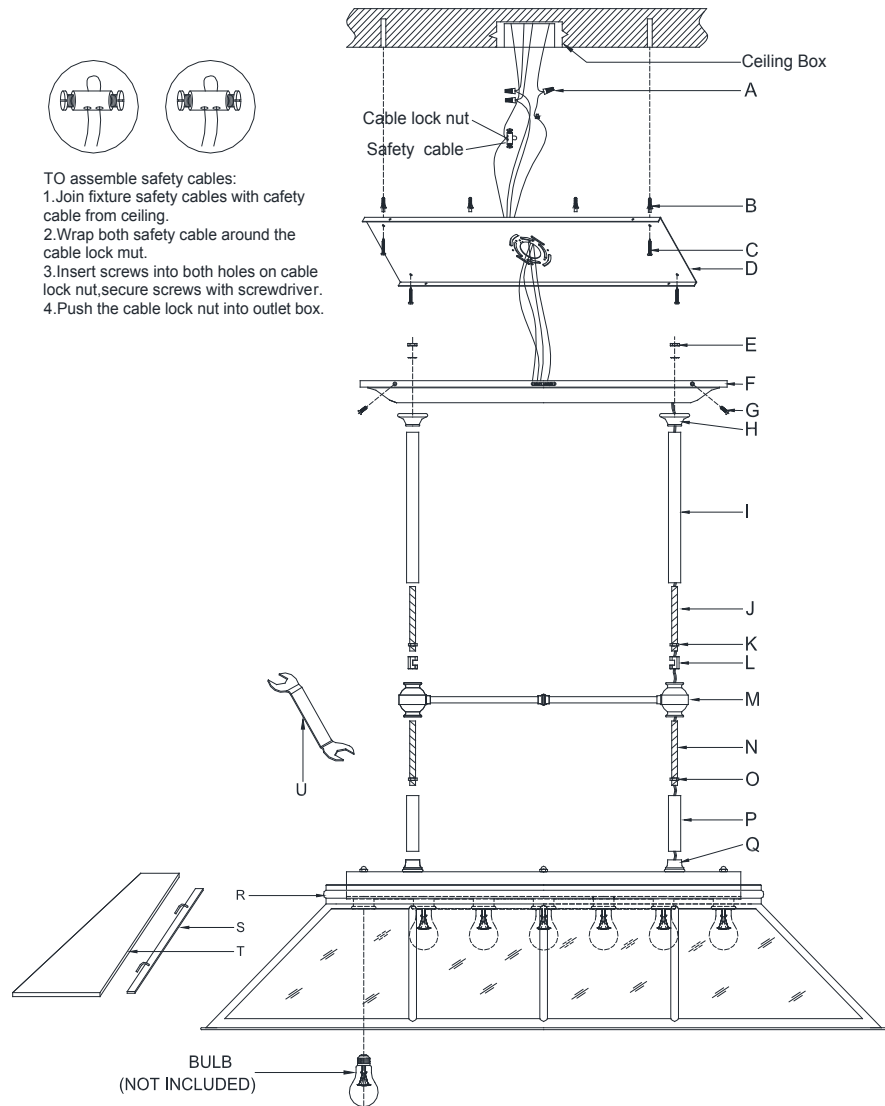
# RALPH LAUREN

## ASSEMBLY INSTRUCTIONS



### TO assemble safety cables:

1. Join fixture safety cables with safety cable from ceiling.
2. Wrap both safety cable around the cable lock nut.
3. Insert screws into both holes on cable lock nut, secure screws with screwdriver.
4. Push the cable lock nut into outlet box.



## Rivington Large Billiard Pendant

Item # RL 5067-WG

WE RECOMMEND INSTALLATION OF THIS LIGHTING FIXTURE BE DONE BY A LICENSED ELECTRICIAN.

WARNING\*\*\*SWITCH OFF THE MAIN ELECTRICAL SUPPLY FROM THE MAIN FUSE BOX/CIRCUIT BREAKER BEFORE INSTALLATION.

INSPECT ITEM CAREFULLY BEFORE ATTEMPTING TO INSTALL. IF THERE IS ANY DAMAGE OR OBVIOUS DEFECT. DO NOT INSTALL.

ITEM MAY NOT BE RETURNED ONCE IT HAS BEEN INSTALLED.

NOTE: CAREFULLY UNPACK EACH PIECE IN TOP LAYER OF PACKING PRIOR TO REMOVING. RETAIN ALL PACKING MATERIAL UNTIL INSPECTION AND INSTALLATION ARE FINAL.

13. Tuck these wire connections neatly into the outlet box to secure.

14. Attach the fixture body (R) to the mounting plate (D) and secure with side screws (G).

15. Fit the mirror panels (T) on the fixture body (R) and screw it by bending the metal tabs (S).

16. Insert bulbs (not included) into the sockets.

17. Installation is complete, turn on power at fuse or circuit breaker.

\*\*\*Clean with a dry, soft cloth only. Do not use harsh abrasives or chemical agents.



# RALPH LAUREN