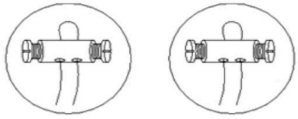
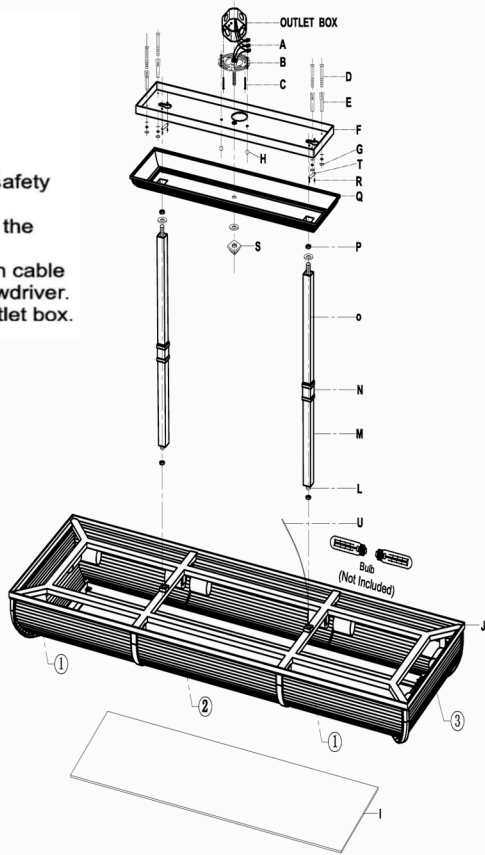


ASSEMBLY INSTRUCTIONS



- To assemble safety cables:**
1. Join fixture safety cables with safety cable from ceiling.
 2. Wrap both safety cable around the cable lock nut.
 3. Insert screws into both holes on cable lock nut, secure screws with screwdriver.
 4. Push the cable lock nut into outlet box.



Perry Medium Linear Pendant

Item # RL 5075

WE RECOMMEND INSTALLATION OF THIS LIGHTING FIXTURE BE DONE BY A LICENSED ELECTRICIAN.

WARNING***SWITCH OFF THE MAIN ELECTRICAL SUPPLY FROM THE MAIN FUSE BOX/CIRCUIT BREAKER BEFORE INSTALLATION.

INSPECT ITEM CAREFULLY BEFORE ATTEMPTING TO INSTALL. IF THERE IS ANY DAMAGE OR OBVIOUS DEFECT. DO NOT INSTALL.

ITEM MAY NOT BE RETURNED ONCE IT HAS BEEN INSTALLED.

NOTE: CAREFULLY UNPACK EACH PIECE IN TOP LAYER OF PACKING PRIOR TO REMOVING. RETAIN ALL PACKING MATERIAL UNTIL INSPECTION AND INSTALLATION ARE FINAL.

1. Carefully remove all parts from the box.
2. Install white glass (I) into the fixture (J) and secure with inside metal tabs.
3. Let wires and safety cable (U) pass through studs (L) and screw studs (L) into fixture (J).
4. Pass the tubes (M), tubes (N) and tubes (O) through studs (L).
5. Affix mounting plate (B) onto ceiling outlet box by screwing mounting screws (C)
6. Drill four holes onto ceiling and make sure the anchors (D) can be placed in.
7. Pull wires and safety cable (U) through the backplate (F) and canopy (Q).
8. Connect ground wire from the light fixture (bare copper) to ground wire from ceiling outlet box (usually green or copper in color).
9. Connect the hot wire from the fixture to the hot wire from the ceiling box
10. Repeat this procedure for the neutral wire from the fixture to the neutral wire from the ceiling box.
11. Tuck these wire connections neatly in the outlet box.

IT IS IMPERATIVE THAT THIS FIXTURE BE GROUNDED.

12. Install anchors (D) into the holes in ceiling and put metal tube (E) on anchors (D) and secure . backplate (F) with nuts (G) into anchors (D).
13. Raise fixture (J) up and let canopy (Q), backplate (F) pass through studs (L) and screw nuts (P) on studs (L), move studs (L) into small holes on canopy (Q) and secure with nuts (R) and brands (T).
14. Secure backplate (F) into mounting plate (B) with cap nuts (H).
15. Let stud on finial (S) pass the center hole on canopy (Q) and backplate (F), secure the stud into mounting plate (B).
16. Insert bulbs (not included) into sockets and the installation is completed.

THIS LUMINAIRE MUST BE MOUNTED OR SUPPORTED INDEPENDENTLY OF AN OUTLET BOX.

***Clean with a dry, soft cloth only. Use no harsh abrasives or chemical agents.



VISUAL COMFORT & Co. Est. 1987