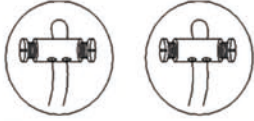
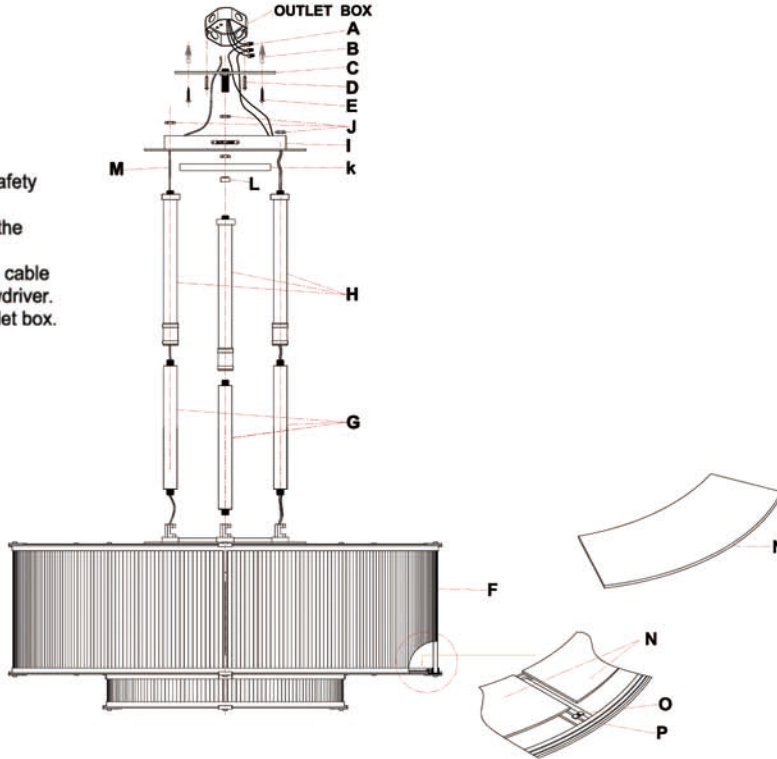


ASSEMBLY INSTRUCTIONS



TO assemble safety cables:

1. Join fixture safety cables with Safety cable from ceiling.
2. Wrap both safety cable around the cable lock nut.
3. Insert screws into both holes on cable lock nut, secure screws with screwdriver.
4. Push the cable lock nut into outlet box.



Allen Large Tiered Chandelier Item # RL 5086

WE RECOMMEND INSTALLATION OF THIS LIGHTING FIXTURE BE DONE BY A LICENSED ELECTRICIAN.

WARNING*SWITCH OFF THE MAIN ELECTRICAL SUPPLY FROM THE MAIN FUSE BOX/CIRCUIT BREAKER BEFORE INSTALLATION.**

INSPECT ITEM CAREFULLY BEFORE ATTEMPTING TO INSTALL. IF THERE IS ANY DAMAGE OR OBVIOUS DEFECT. DO NOT INSTALL.

ITEM MAY NOT BE RETURNED ONCE IT HAS BEEN INSTALLED.

NOTE: CAREFULLY UNPACK EACH PIECE IN TOP LAYER OF PACKING PRIOR TO REMOVING. RETAIN ALL PACKING MATERIAL UNTIL INSPECTION AND INSTALLATION ARE FINAL.

1. Carefully remove all parts from the box.
2. Remove the metal tabs (P) from fixture (F) by screwing off screws (O).
3. Install white glass (N) into the fixture (F) by secure the metal tabs (P) using screws (O).
4. Let wires and safety cable (M) pass through studs in tubes (G) and tubes (H).
5. Thread tubes (H) into tubes (G) using inside studs.
6. Remove the canopy (I) from metal plate (K) by screwing off the final (L).
7. Drill four holes onto ceiling and make sure the anchors (B) can be placed in.
8. Pull wires and safety cable (M) through the canopy (I) and mounting plate (C).
9. Fix the canopy (I) into the tubes (H) by nuts (J).
10. Connect ground wire from the light fixture (bare copper) to ground wire from ceiling outlet box (usually green or copper in color).

IT IS IMPERATIVE THAT THIS FIXTURE BE GROUNDED.

11. Connect the Hot wire from the fixture to the hot wire from the ceiling box.
12. Repeat this procedure for the Neutral wire from the fixture to the neutral wire from the ceiling box.
13. Tuck these wire connections neatly in the outlet box.

DO NOT REVERSE HOT AND NEUTRAL CONNECTIONS OR SAFETY WILL BE COMPROMISED.

14. Install anchors (B) into the holes in ceiling.
15. Install mounting plate (C) to the ceiling by screws (E) and to the outlet box by screws (D).
16. Raise the fixture (F) and let canopy (I), metal plate (K) pass through the stud in mounting plate (C) and secure with final (L).
17. Insert bulbs (not included) into sockets and the installation is completed.

THIS LUMINAIRE MUST BE MOUNTED OR SUPPORTED INDEPENDENTLY OF AN OUTLET BOX.

***Clean with a dry, soft cloth only. Use no harsh abrasives or chemical agents.



RALPH LAUREN