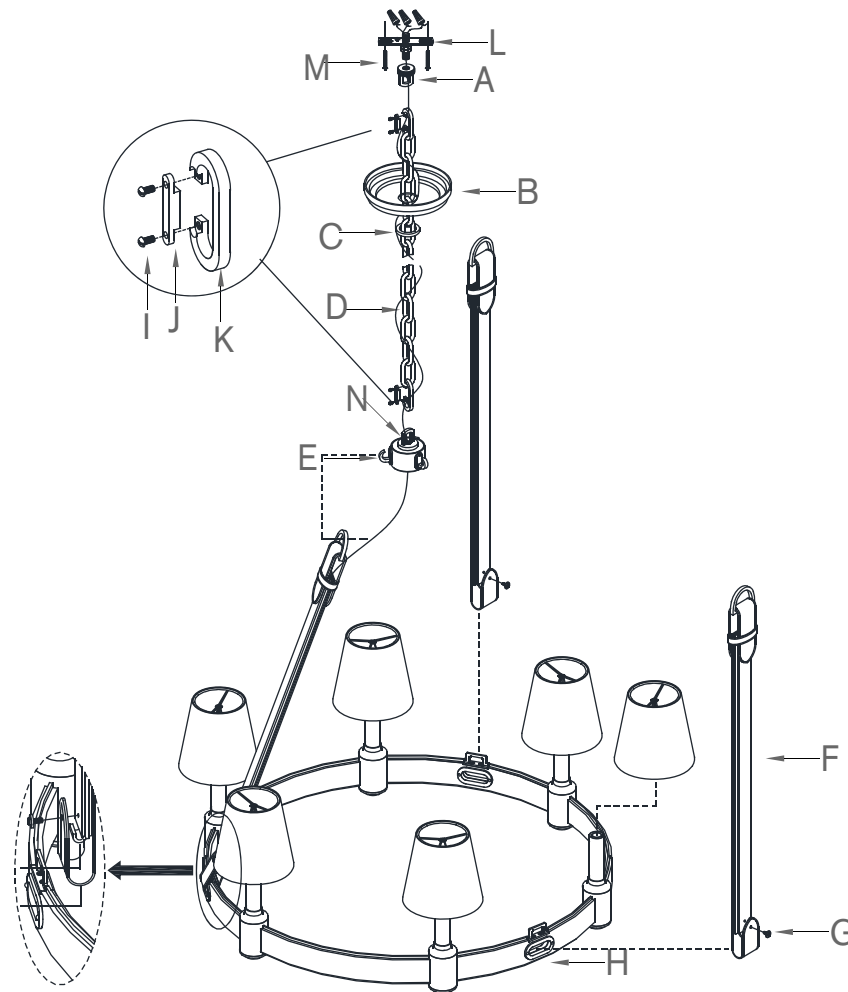


# RL5610

## ASSEMBLY & INSTALLATION GUIDE



**WE RECOMMEND INSTALLATION OF THIS LIGHTING FIXTURE BE DONE BY A LICENSED ELECTRICIAN.**

**WARNING \*\*\* SWITCH OFF THE MAIN ELECTRICAL SUPPLY FROM THE MAIN FUSE BOX/CIRCUIT BREAKER BEFORE INSTALLATION.**

**INSPECT ITEM CAREFULLY BEFORE ATTEMPTING TO INSTALL. IF THERE IS ANY DAMAGE OR OBVIOUS DEFECT, DO NOT INSTALL.**

**ITEM MAY NOT BE RETURNED ONCE IT HAS BEEN INSTALLED.**

1. Carefully remove all parts from the carton
2. Loosen screws (G), hook connection bars (F) onto the hook racks (E) and hook other ends of connection bars (F) onto the light fixture (H) and secure with screws (G).
3. Remove (J) from closable links (K) by removing set screws (I).
4. Attach one of closable link (K) to top loop (N), one of closable link (K) to mounting loop (A) and secure by replacing (J) to closable links (K) and tighten with set screws (I).
5. Unscrew canopy collar (C), slide canopy collar (C) and canopy (B) on chain (D).
6. Attach mounting strap (L) to ceiling outlet box and secure with mounting screws (M).
7. Attach mounting loop (A) with chain light fixture to the center nipple of mounting strap (L) at desired height.
8. Attach the bare copper ground from the fixture to the ground junction box wire (usually green or copper), fasten together with a plastic wire connector. Tightly wrap the wire connector with electrical tape. Be sure no wire strands are exposed. **IT IS IMPERATIVE THAT THE OUTLET BOX IN YOUR HOME BE PROPERLY GROUNDED.**
9. Connect neutral wire from fixture (ridged molded wire) to the neutral wire from the junction box (usually white). Fasten both wires together with a plastic wire connector and tightly wrap the wire connector with electrical tape. Be sure no wire strands are exposed.
10. Connect the hot wires from the fixture (smooth wire) to the hot wire (usually black) from the junction box. Fasten each together with a plastic wire connector and wrap the connection with electrical tape. **DO NOT REVERSE THE HOT AND NEUTRAL CONNECTIONS OTHERWISE SAFETY WILL BE COMPROMISED.**
11. Tuck wire connections neatly into ceiling outlet box.
12. Slip canopy (B) to ceiling and secure with canopy collar (C).
13. Insert light bulbs into sockets.
14. Clip shades onto the light bulbs.
15. Restore power and test fixture. Installation is complete.

\*\*\* Clean with a dry, soft cloth only. Use no harsh abrasives or chemical agents.