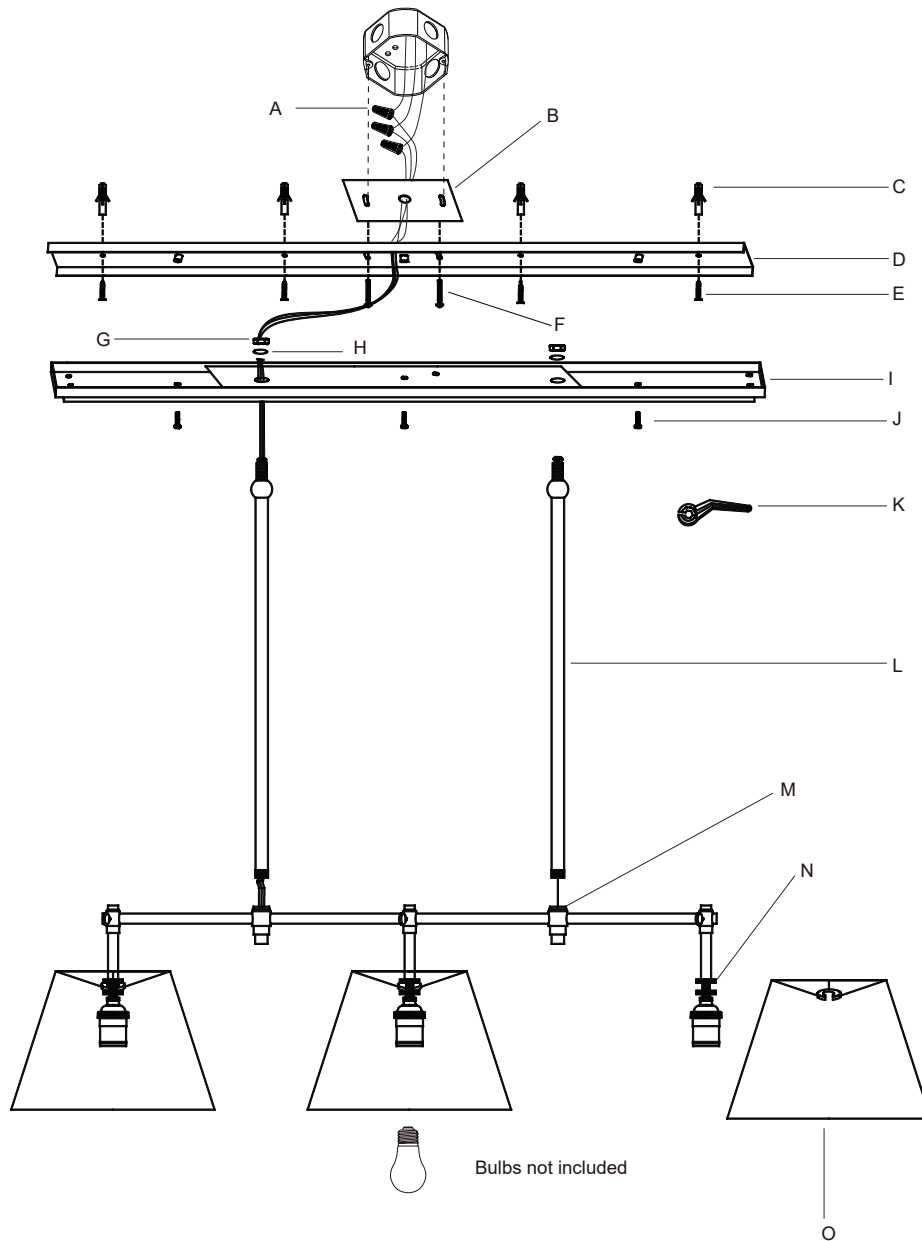


ASSEMBLY INSTRUCTIONS



Bryant Small Billiard Light

Item# TOB 5004

WE RECOMMEND INSTALLATION OF THIS LIGHTING FIXTURE BE DONE BY A LICENSED ELECTRICIAN.

WARNING*SWITCH OFF THE MAIN ELECTRICAL SUPPLY FROM THE MAIN FUSE BOX/CIRCUIT BREAKER BEFORE INSTALLATION.**

INSPECT ITEM CAREFULLY BEFORE ATTEMPTING TO INSTALL. IF THERE IS ANY DAMAGE OR OBVIOUS DEFECT. DO NOT INSTALL.

ITEM MAY NOT BE RETURNED ONCE IT HAS BEEN INSTALLED.

NOTE: CAREFULLY UNPACK EACH PIECE IN TOP LAYER OF PACKING PRIOR TO REMOVING. RETAIN ALL PACKING MATERIAL UNTIL INSPECTION AND INSTALLATION ARE FINAL.

- Carefully remove all parts from the box.
- Remove the mounting plate (D) from the canopy (I) by loosening the canopy screws (J).
- Install the mounting plate (D) to the junction box and secure with the mounting screws (F). If needed, install plate (B) before mounting plate (D) to properly cover junction box.
- Feed wires through the rod (L), and canopy (I).
- Thread the rod (L) to the opening (M) of the fixture body, then place the canopy (I) to the rod (L) and secure with the washer (H) and nut (G) using the wrench (K) provided.
- Measure the wires then cut, be certain to leave enough to connect the wires in the junction box.
- Strip the insulation on the fixture wires about 5/8".
- Wrap the fixture ground wire to the green ground screw on the mounting plate (D) and secure, then connect to the ground wire in the junction box using the wire nut (A).
IT IS IMPERATIVE THAT THIS FIXTURE BE GROUNDED.
- Connect the fixture ribbed wire (no markings) to the neutral wire in the junction box using the wire nut (A).
- Connect the fixture smooth wire (with markings) to the hot wire in the junction box using the wire nut (A).
DO NOT REVERSE THE HOT AND NEUTRAL CONNECTIONS OTHERWISE SAFETY WILL BE COMPROMISED.
- Tuck the wire connections neatly into junction box.
- Install the canopy (I) to the mounting plate (D) and secure with the canopy screw (J).
- Attach the shade (O) to the top of the socket cup and secure with the knurled ring (N).
- Insert bulbs (not included) into the sockets.
- Installation is complete, turn on power at fuse or circuit breaker.

***Clean with a dry, soft cloth only. Use no harsh abrasives or chemical agents.